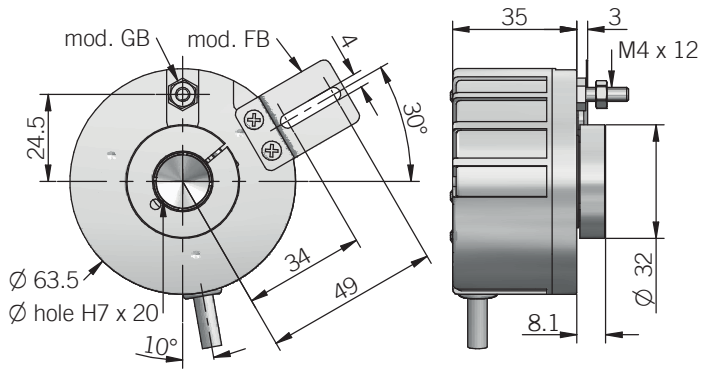
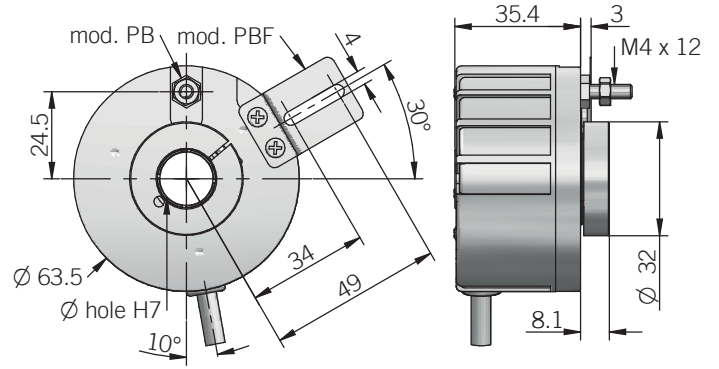


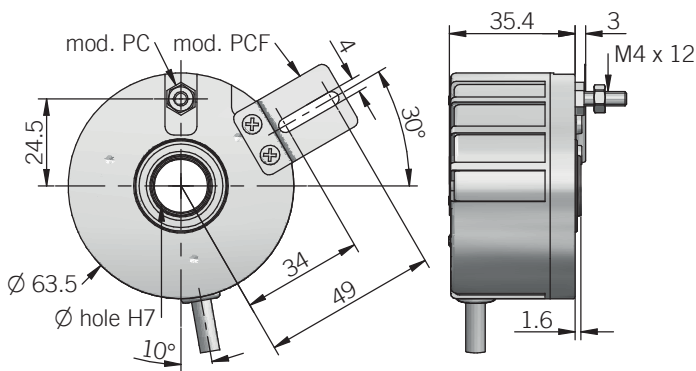
63FB / GB



63PB / PBF

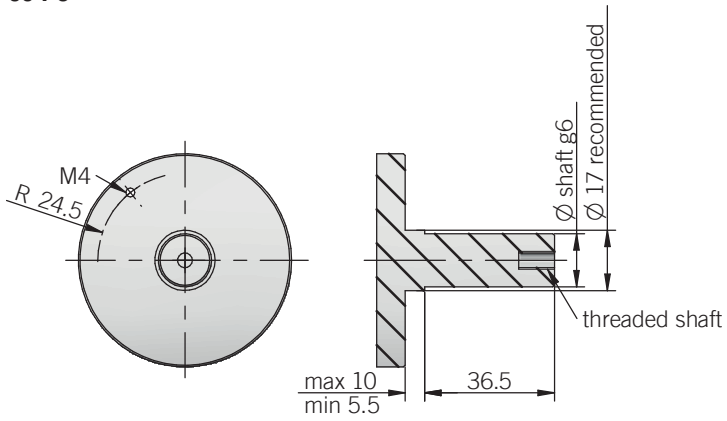


63PC / PCF



torque pin is included in model GB / PB / PC, for model FB / PBF / PCF please refer to Accessories

**RECOMMENDED INTERFACE FLANGE DESIGN
63 PC**



recommended mating shaft tolerance g6
dimensions in mm

ELECTRICAL SPECIFICATIONS

Resolution	from 1 to 2500 ppr
Power supply¹	5 = 4,5 ... 5,5 V DC 5/28 = 4,5 ... 30 V DC (reverse polarity protection)
Power draw without load	800 mW max
Max load current	C / P = 50 mA / channel L / RS = 20 mA / channel
Electrical interface²	NPN open collector (AEIC-7273, pull-up max +30 V DC) push-pull / line driver HTL (AEIC-7272 or similar) line driver RS-422 (AELT-5000 or similar)
Max output frequency	300 kHz
Counting direction	A leads B clockwise (shaft view)
Index signal	180°e (gated A)
Mean time to dangerous failure (MTTF_d)³ according to EN ISO 13849-1	200 years
Mission time (T_m)³	20 years
Diagnostic coverage (DC)³	0%
Cable type	shielded - fixed installation conductors section 0,22 mm ² / AWG 24 bending radius min 60 mm
Electromagnetic compatibility	according to 2014/30/EU directive
RoHS	according to 2011/65/EU directive
UL / CSA	file n. E212495

RESOLUTIONS

1 - 2 - 5 - **20** - 25 - **32** - 50 - 60 - 100 - 128 - **200** - 250 - 256 - **360** - 400 - 500 - 512 - 600 - 720 - 1000 - **1024** - 1440 - 1800 - **2000** - 2048 - 2500

please directly contact our offices for other pulses, preferred resolutions in bold

MECHANICAL SPECIFICATIONS

Bore diameter	∅ 8 / 10 / 12 / 14 / 15 mm
Enclosure rating	IP 54 (IEC 60529)
Max rotation speed	3600 rpm continuous / 4000 rpm peak
Shock	50 G, 11 ms (IEC 60068-2-27)
Vibration	10 G, 10 ... 2000 Hz (IEC 60068-2-6)
Moment of inertia	4 x 10 ⁻⁶ kgm ² (95 x 10 ⁻⁶ lbf ²)
Starting torque (at +20°C / +68°F)	< 0,04 Nm (5,66 Ozin)
Bearing stage material	aluminum
Shaft material	stainless steel
Housing material	PA 66 glass fiber reinforced
Bearings	n.2 ball bearings
Bearings life	10 ⁹ revolutions
Operating temperature^{4,5}	-10° ... +60 °C (+14° ... +140°F)
Storage temperature⁵	-25° ... +70 °C (-13° ... +158°F)
Weight	350 g (12,35 oz)

¹ as measured at the transducer without cable influences

² for further details refer to OUTPUT LEVELS on TECHNICAL BASICS section

³ this product is not a safety component, for further details refer to TECHNICAL BASICS section

⁴ measured on the transducer flange

⁵ condensation not allowed

CONNECTIONS

Function	Cable C / P	Cable L / RS
+V DC	red	red
0 V	black	black
A+	green	green
A-	/	brown or grey
B+	yellow	yellow
B-	/	orange
Z+	blue	blue
Z-	/	white
⊥	shield	shield