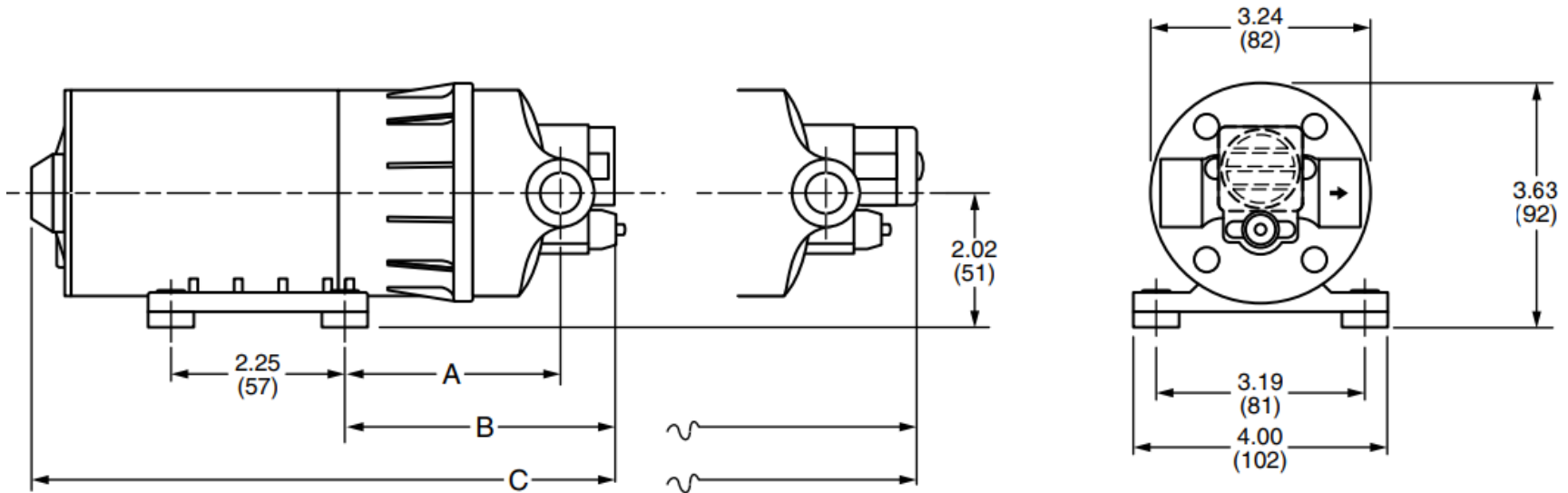


Duplex II Series diaphragm pumps



inches (mm)

DEMAND PUMP	A	B	C
Minimum Dimension	2.43 (62)	3.90 (100)	7.93 (201)
Maximum Dimension	2.69 (68)	4.14 (105)	8.38 (213)
BY PASS PUMP			
Minimum Dimension	2.43 (62)	3.15 (80)	7.20 (183)
Maximum Dimension	2.69 (68)	3.44 (87)	7.65 (194)